

EPS-2018G

16 Fast Ethernet 802.3at PoE + 2 Gigabit RJ-45/SFP Combo Switch



16 ports 10/100Mbps IEEE 802.3at PoE+ RJ-45
+ 2 ports Gigabit RJ-45/SFP Combo Switch

Features

- **16-port 10/100Base-TX RJ-45 copper**
Supports full/half duplex, auto-negotiation and auto MDI/MDI-X.
- **2-port Gigabit SFP/TP combo**
2 1000Base-X SFP slots, shared with port-17 and 18 for 10/100/1000Base-T RJ-45 copper, supports full/half duplex, auto-negotiation and auto MDI/MDI-X on copper port.
- **IEEE 802.3af/at PoE+ injector**
Port 1-16 supports IEEE 802.3af/at PoE+ injector function feature to feed 30W PoE power output to remote devices and facilitate the deployment in the power unreachable environment.
- **DIP switch**
DIP switch supports "Default", "VLAN" and "CCTV" mode for different application.
- **PD (power device) alive checking**
Auto check bandwidth for each PoE port (port 1-16), if PoE port doesn't have any bandwidth over 3mins, PoE switch will auto cut off PoE power output and re-inject PoE power on the port.

Target Applications

- PoE-enabled device deployments such as IP Surveillance or Wireless AP.
- Extend IP Ethernet transmission and injector power beyond the 100 meters.

Description

Connection Technology Systems (CTS) EPS-2018G is a unmanaged PoE switch equipped with 16 PoE+ ports 10/100Mbps RJ-45 and 2 combo uplink ports (10/100/1000Mbps RJ-45 + 1000Mbps SFP slots). All SFP slots can accommodate a wide range of SFP transceivers including single-mode, WDM or CWDM transceivers. EPS-2018G is perfect for service providers and enterprises who plan to implement FTTX and PoE network environment.

EPS-2018G delivers wire-speed throughput for data, voice and surveillance/IPTV services, using non-blocking 7.2Gbps switching fabric. EPS-2018G supports IEEE 802.3at PoE technology, up to 30W per port and maximum 100m transmission distance and supports a maximum of 250/380W of total PoE budget.

The PoE switch also supports PD alive checking function, allowing switch auto check bandwidth for each PoE port, if specific PoE port doesn't have any bandwidth over 3mins, PoE switch will auto cut off PoE power output and re-inject PoE power on the port. It will greatly enhance the network reliability through the PoE port resetting the PD's power source and reducing administrator management burden.

EPS-2018G has 3 DIP switch mode that include "Default", "VLAN" and "CCTV" mode. Default mode is standard switch mode that can communication between port 1-18; VLAN mode is isolation mode that 1-16 port can be isolated each other but 1-16 port can connect to 17-18 port after open VLAN to stop broadcast storm to increase forwarding rate of frame and CCTV mode is extension and isolation mode that allows each PoE port to extend distance up to 250 meters at 10Mbps while remaining to support 30W PoE power output.

Specification

Interface

- TP Port:
16 x 10/100Base-TX RJ-45 with 802.3at/af PoE injector function
- Combo Port:
2 x 1000Base-X SFP, 2 x 10/100/1000Base-T shared with port-17 to 18
- DIP switch:
1 x DIP switch for Default, VLAN and CCTV mode

Standards

- IEEE 802.3 10Base-T
- IEEE 802.3u 100Base-TX
- IEEE 802.3ab 1000Base-T
- IEEE 802.3z 1000Base-X
- IEEE 802.3x Flow Control
- IEEE 802.3af Power over Ethernet
- IEEE 802.3at Power over Ethernet Plus

H/W Specification

- MAC Address table : 16K
- Non-Blocking Switching Fabric : 7.2Gbps
- Throughput @ 64Bytes: 5.35Mpps
- Packet buffer: 4M bit
- Store and Forward Switching Mechanism
- Auto-Cross Over for MDI/MDIX in TP Ports
- Auto-Negotiation in TP Ports
- Full/Half Duplex Mode Operation
- PoE Power Output: max. 30W per port, Mode A pin 1/2(+), 3/6(-)
- Max. PoE Budget:
EPS-2018G-250W: 250W
EPS-2018G-380W: 380W
- Surge Protection in Ethernet port

LED

- Power, Status, Speed/Link/Act, PoE

Forward / Filter Rate

- 10M : 14,880/14,880pps
- 100M: 148,800/148,800pps
- 1000M:1,488,000/1,488,000pps

Power Requirement

- Input AC:100V-240V 50/60Hz
- Power Consumption:
EPS-2018G-250W: 270W
EPS-2018G-380W: 420W

Environmental Condition

- Operation : 0°C ~ 50°C
- Storage : -20°C ~ 60°C
- Humidity:5%~90%, Non-condensing

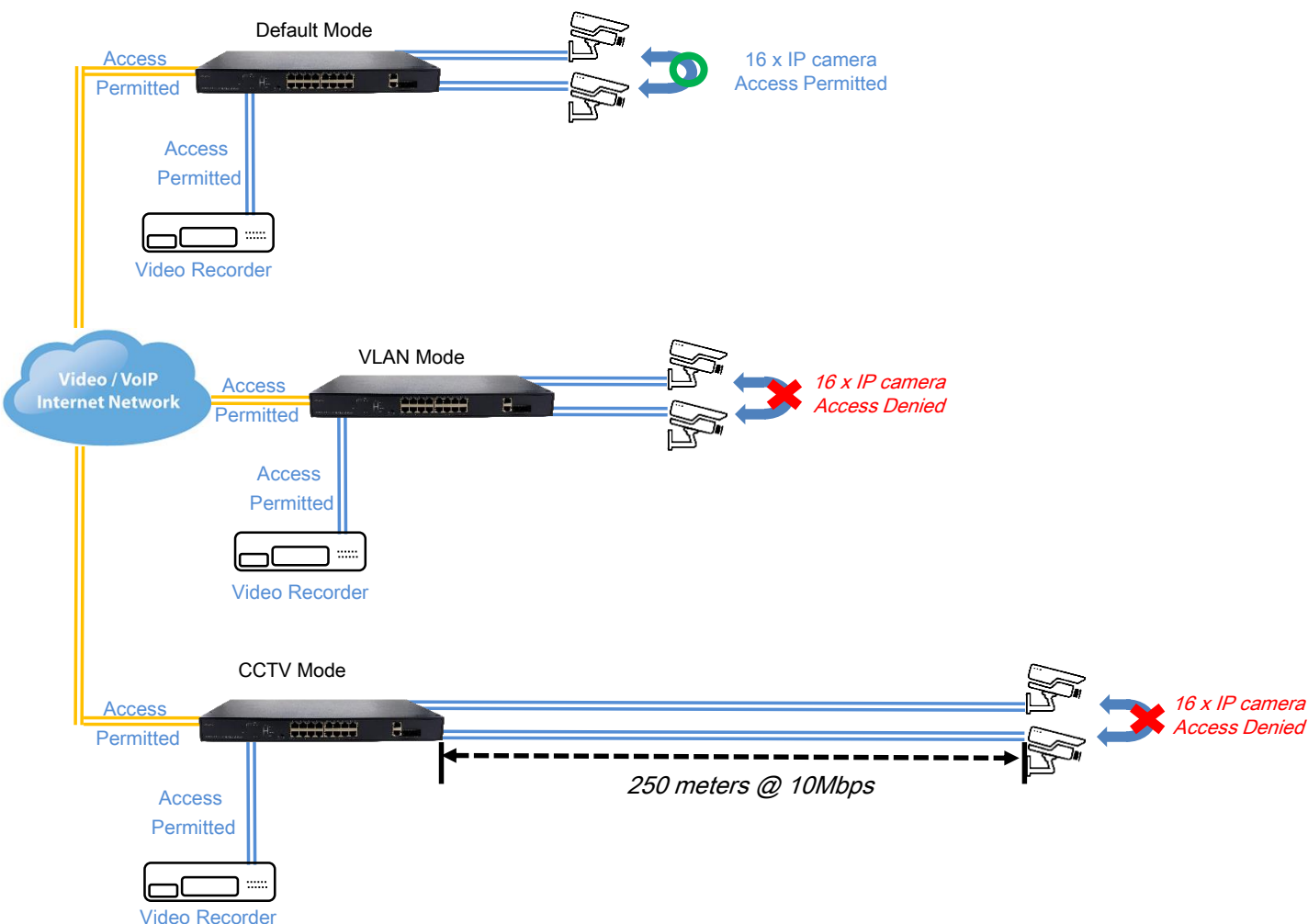
Dimension & Weight

- Size: 440 x 208 x 45 mm (W x D x H)
- Weight: 3Kg

EMC/Safety

- FCC Class A, CE

Application Diagram



Order Information

EPS-2018G

Model	Fiber Ports			TP Ports			PoE Power Budget	Support Power Source
	Speed	Type	Ports	Speed	Non-PoE	PoE		
EPS-2018G-250W	1000Mbps	SFP	2	10/100Mbps	-	16	250W	Fixed 1 Internal AC
				10/100/1000 Mbps	2 combo	-		
EPS-2018G-380W	1000Mbps	SFP	2	10/100Mbps	-	16	380W	Fixed 1 Internal AC
				10/100/1000 Mbps	2 combo	-		