

EPS-2010G

8 Fast Ethernet 802.3at PoE + 1 Gigabit RJ-45 + 1 Gigabit SFP Desktop Switch



- 8 ports 10/100Mbps IEEE 802.3at PoE+ RJ-45
- + 1 port 10/100/1000Mbps RJ-45
- + 1 port 100/1000Mbps SFP Slot Desktop Switch

Features

- 8-port 10/100Base-TX RJ-45 Copper**
 Supports full/half duplex, auto-negotiation and auto MDI/MDI-X.
- IEEE 802.3at/af PoE+ Injector**
 Port 1-8 supports IEEE 802.3at/af PoE+ injector function feature to feed 30W PoE power output to remote devices and facilitate the deployment in the power unreachable environment.
- 1-port 10/100/1000Base-T RJ-45 Copper**
 Supports full/half duplex, auto-negotiation and auto MDI/MDI-X.
- 1-port 100/1000Base-X SFP Slot**
 1 100/1000Base-X mini-GBIC/SFP slot, compatible with 100Base-FX SFP transceiver
- DIP Switch**
 DIP switch supports "Default", "VLAN" and "CCTV" mode for different application.
- Desktop-size**
 Plug-and-Play with 9-inch/1U metal housing and fanless design.

Description

Connection Technology Systems (CTS) EPS-2010G is a unmanaged PoE switch equipped with 8 10/100Mbps RJ-45 PoE+ ports, 1 10/100/1000Mbps RJ-45 port and 1 100/1000Mbps SFP slot that easy to create small IP surveillance with 8-channel NVR system.

EPS-2010G delivers wire-speed throughput for data, voice and surveillance/IPTV services, using non-blocking 5.6Gbps switching fabric. EPS-2010G supports IEEE 802.3at PoE technology, up to 30W per port and maximum 100-meter transmission distance and supports a maximum of 120W of total PoE budget.

EPS-2010G has 3 DIP switch modes that include "Default", "VLAN" and "CCTV" mode. Default mode is standard switch mode that can communication between port 1-10; VLAN mode is isolation mode that 1-8 port can be isolated each other but 1-8 port can connect to 9-10 port after open VLAN to stop broadcast storm to increase forwarding rate of frame and CCTV mode is extension mode that allows each PoE port to extend distance up to 250 meters at 10Mbps while remaining to support 30W PoE power output.

Target Applications

- PoE-enabled device deployments such as IP Surveillance or Wireless AP.**
- Extend IP Ethernet transmission and injector power beyond the 100 meters.**

Specification

Interface

- TP Port:
8 x 10/100Base-TX RJ-45 with 802.3at/af PoE injector function
1 x 10/100/1000Base-T RJ-45
- SFP Slot:
1 x 100/1000Base-X SFP slot
- DIP Switch:
1 x DIP switch for Default, VLAN and CCTV mode

Standards

- IEEE 802.3 10Base-T
- IEEE 802.3u 100Base-TX/FX
- IEEE 802.3ab 1000Base-T
- IEEE 802.3z 1000Base-X
- IEEE 802.3x Flow Control
- IEEE 802.3af Power over Ethernet
- IEEE 802.3at Power over Ethernet Plus

H/W Specification

- MAC Address Table: 4K
- Non-blocking Switching Fabric: 5.6Gbps
- Throughput @ 64Bytes: 4.16Mpps
- Packet Buffer: 2Mbit
- Jumbo Frame: 9K
- Store and Forward Switching Mechanism
- Auto-cross Over for MDI/MDI-X in TP Ports
- Auto-negotiation in TP Ports
- Full/Half Duplex Mode Operation
- PoE Power Output: max. 30W per port, Mode A pin 1/2(+), 3/6(-)
- Max. PoE Budget: 120W
- Surge Protection in Ethernet port

LED

- Power, Link/ACT, Speed, PoE

Forward/Filter Rate

- 10M: 14,880/14,880pps
- 100M: 148,800/148,800pps
- 1000M: 1,488,000/1,488,000pps

Power Requirement

- Input AC: 100V-240V 50/60Hz
- Power Consumption: 135W

Environmental Condition

- Operation: 0°C ~ 50°C
- Storage: -20°C ~ 60°C
- Humidity: 5%~90%, Non-condensing

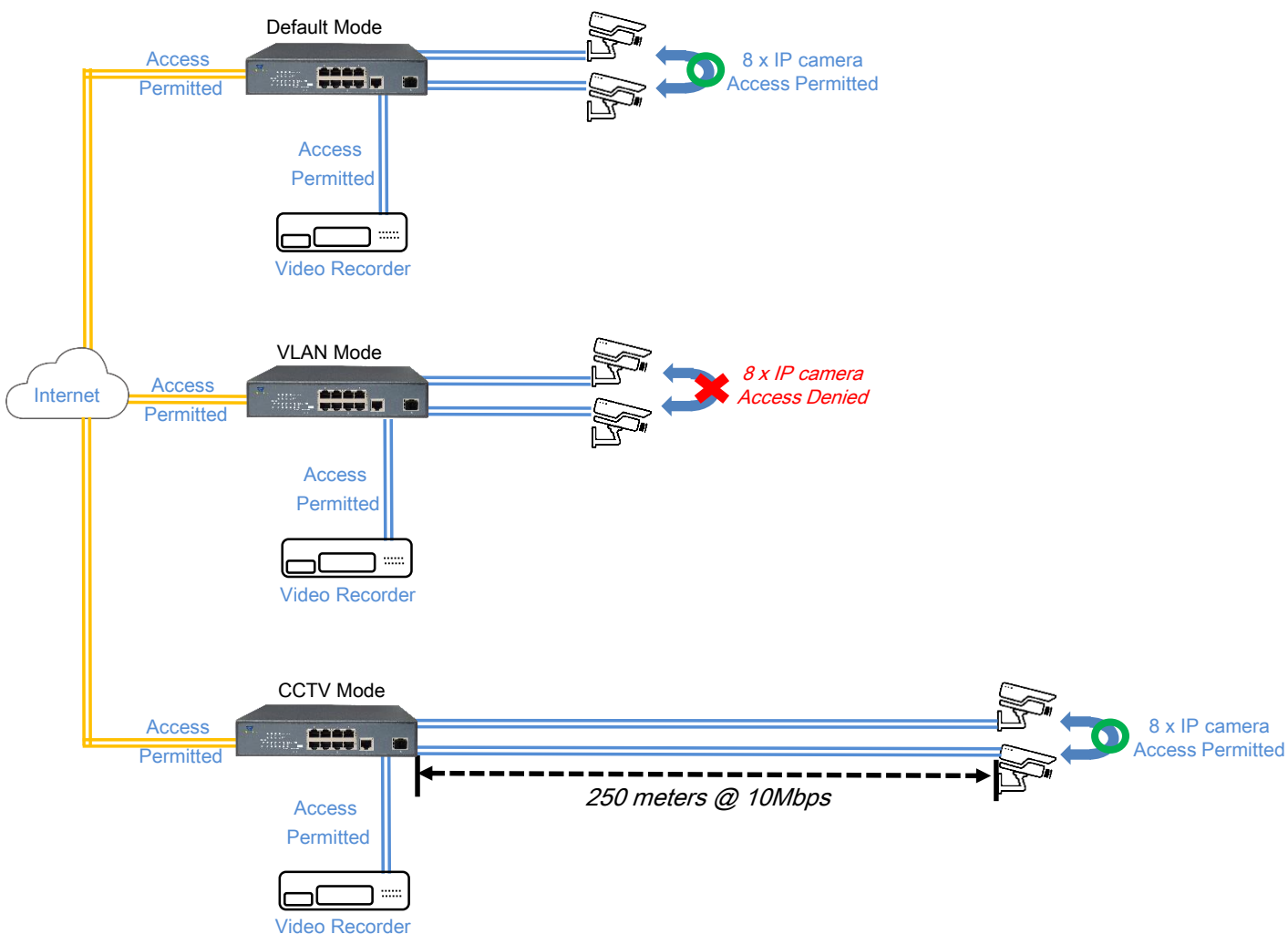
Dimension & Weight

- Size: 220 x 150 x 44 mm (W x D x H)
- Weight: 1.3Kg

EMC/Safety

- FCC Class A, CE

Application Diagram



Order Information

EPS-2010G

Model	Fiber Ports					TP Ports			Support Power Source
	Speed	Type	Connector	Distance	Ports	Speed	Non-PoE	PoE	
EPS-2010G-120W	100/1000Mbps	SFP	-	-	1	10/100Mbps	-	8	Fixed 1 Internal AC
						10/100/1000Mbps	1	-	