

EPS-2006

4 Fast Ethernet 802.3at PoE + 2 Fast Ethernet TP Desktop Switch



4 ports 10/100Mbps IEEE 802.3at PoE+ RJ-45 + 2 ports 10/100Mbps RJ-45 Desktop Switch

Features

- **6-port 10/100Base-TX RJ-45 Copper**
Supports full/half duplex, auto-negotiation and auto MDI/MDI-X.
- **IEEE 802.3at/af PoE+ Injector**
Port 1-4 supports IEEE 802.3at/af PoE+ injector function feature to feed 30W PoE power output to remote devices and facilitate the deployment in the power unreachable environment.
- **CCTV Mode**
Enable CCTV mode by DIP switch that features 30-watt PoE transmit distance of 250-meter at speed of 10Mbps
- **Desktop-size**
Plug-and-Play with metal compact size and fanless design.

Description

Connection Technology Systems (CTS) EPS-2006 is a unmanaged PoE switch equipped with 4 10/100Mbps RJ-45 PoE+ ports and 2 10/100Mbps RJ-45 ports that easy to create small IP surveillance with 4-channel NVR system.

EPS-2006 delivers wire-speed throughput for data, voice and surveillance/IPTV services, using non-blocking 1.2Gbps switching fabric. EPS-2006 supports IEEE 802.3at PoE technology, up to 30W per port and maximum 100 meters transmission distance and supports a maximum of 60W of total PoE budget.

EPS-2006 has DIP switch that enable/disable "CCTV" mode. CCTV mode is extension and isolation mode that allows each PoE port to extend distance up to 250 meters at 10Mbps while remaining to support 30W PoE power output and 1-4 port can be isolated each other but 1-4 port can connect to 5-6 port .

Target Applications

- PoE-enabled device deployments such as IP Surveillance or Wireless AP.
- Extend IP Ethernet transmission and injector power beyond the 100 meters.

Specification

Interface

- TP Port:
 - 4 x 10/100Base-TX RJ-45 with 802.3at/af PoE injector function
 - 2 x 10/100Base-TX RJ-45
- DIP Switch:
 - 1 x DIP switch for CCTV mode

Standards

- IEEE 802.3 10Base-T
- IEEE 802.3u 100Base-TX
- IEEE 802.3x Flow Control
- IEEE 802.3af Power over Ethernet
- IEEE 802.3at Power over Ethernet Plus

H/W Specification

- MAC Address Table: 2K
- Non-blocking Switching Fabric: 1.2Gbps
- Throughput @ 64Bytes: 0.89Mpps
- Packet Buffer: 768K bit
- Jumbo Frame: 2K
- Store and Forward Switching Mechanism
- Auto-cross Over for MDI/MDI-X in TP Ports
- Auto-negotiation in TP Ports
- Full/Half Duplex Mode Operation
- PoE Power Output: max. 30W per port, Mode A pin 1/2(+), 3/6(-)
- Max. PoE Budget: 60W
- Surge Protection in Ethernet port

LED

- Power, Link/ACT, PoE

Forward/Filter Rate

- 10M: 14,880/14,880pps
- 100M: 148,800/148,800pps

Power Requirement

- Input AC: 100V-240V 50/60Hz
- Power Consumption: 65W

Environmental Condition

- Operation: 0°C ~ 50°C
- Storage: -20°C ~ 60°C
- Humidity: 5%~90%, Non-condensing

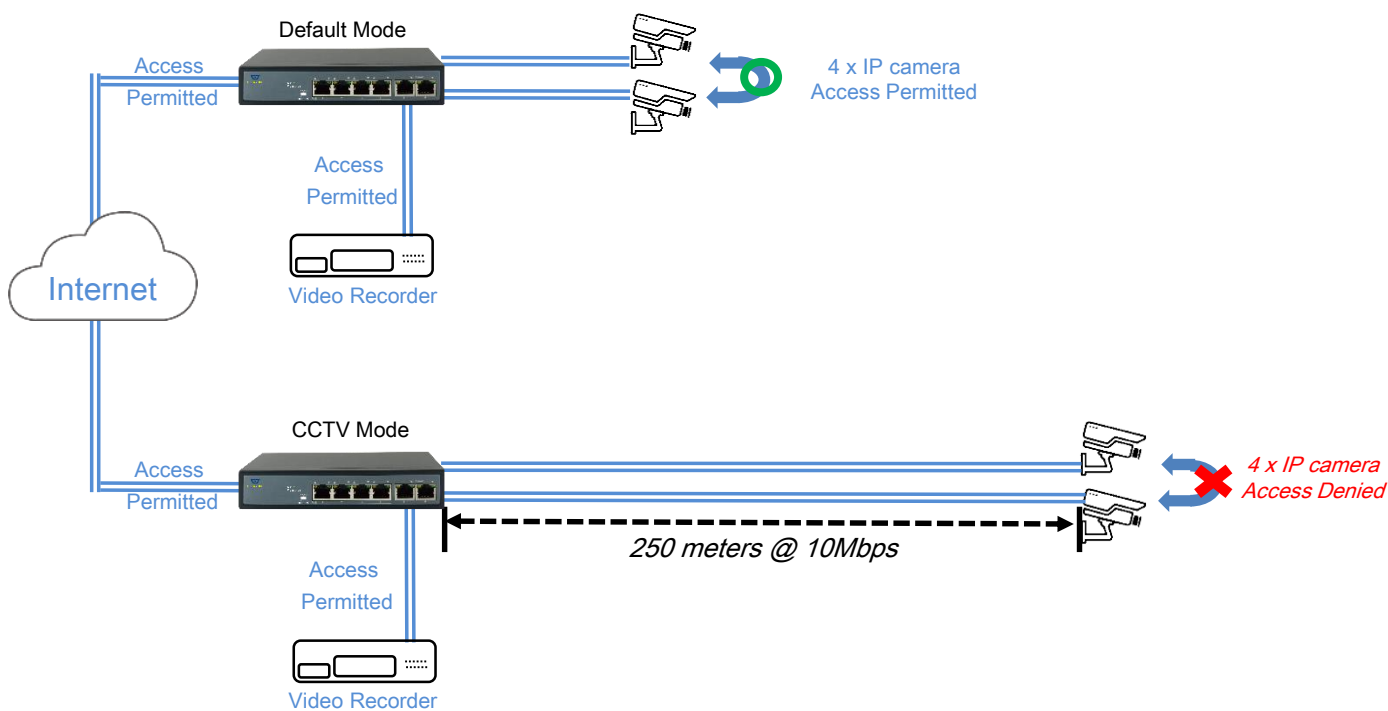
Dimension & Weight

- Size: 168 x 93 x 32 mm (W x D x H)
- Weight: 1Kg

EMC/Safety

- FCC Class A, CE

Application Diagram



Order Information

EPS-2006

Model	Fiber Ports					TP Ports			Support Power Source
	Speed	Type	Connector	Distance	Ports	Speed	Non-PoE	PoE	
EPS-2006-60W	-	-	-	-	-	10/100Mbps	2	4	Fixed 1 Internal AC