



# **EPS-3128 Series**

## **28-port L2+ Managed Ethernet PoE Switch**

### **User's Guide**

Version: 1.0

## Revision History

Version	Date	Changes
0.90	01/24/2016	First release
1.0	11/27/2018	Use new template, modify Status LED description, and add the description, including new features, the RESET button about the supplier default as well as CTS branches' contact information.

## FCC Warning

This equipment has been tested and found to comply with the limits for a Class A digital device, pursuant to Part 15 of the FCC Rules. These limits are designed to provide reasonable protection against harmful interference when the equipment is operated in a commercial environment. This equipment generates, uses, and can radiate radio frequency energy and, if not installed and used in accordance with this user's guide, may cause harmful interference to radio communications. Operation of this equipment in a residential area is likely to cause harmful interference in which case the user will be required to correct the interference at their own expense.

## CE Mark Warning

This is a Class A product. In a domestic environment, this product may cause radio interference in which case the user may be required to take adequate measures.

## Trademarks

CTS is a registered trademark of Connection Technology Systems Inc  
All trademarks belong to their respective proprietors.

Contents subject to change without prior notice.

## Copyright Statement

**Connection Technology Systems Inc Copyright © 1998-2018**

This publication may not be reproduced as a whole or in part, in any way whatsoever unless prior consent has been obtained from Connection Technology Systems Inc.

# ***CTS Contact Information***

---

## ■ **Headquarter/Manufacturer:**

### **Connection Technology Systems Inc.**

18F-6, No.79, Sec.1, Xintai 5th Rd.,  
XiZhi Dist., New Taipei City 221, Taiwan(R.O.C)  
Tel: +886-2-2698-9661  
Fax: +886-2-2698-9662  
Dir.Line:+886-2-2698-9201  
www.ctsystem.com

## ■ **Global Authorized Representatives:**

### **Connection Technology USA Inc.**

40538 La Purissima Way, Fremont, CA 94539, USA  
Tel: +1-510-509-0304  
Sales Direct Line: +1-510-509-0305  
E-mail:cts\_us@ctsystem.com

### **Connection Technology Systems Japan**

Higobashi Bldg, No3 R201, 1-23-13, Edobori, Nisi-ku,  
Osaka 550-0002, Japan  
Tel: +81-6-6450-8890  
E-mail: cts\_japan@ctsystem.com

### **Connection Technology Systems NE AB**

August Barks Gata 21,  
421 32 Västra Frölunda, Sweden  
Tel: +46-31-221980  
E-mail: info@ctsystem.se

### **COMPONET Handels GmbH**

Hirschstettner Straße 19-21/Stiege I  
A-1220 Wien, Austria  
Tel: +43-1-2350-5660  
E-mail: office@componet.at

# ***Table of Contents***

---

Revision History .....	ii
<b>CTS CONTACT INFORMATION .....</b>	<b>III</b>
<b>TABLE OF CONTENTS .....</b>	<b>IV</b>
<b>CHAPTER 1. INTRODUCTION .....</b>	<b>2</b>
1.1 OVERVIEW OF EPS-3128 .....	2
1.2 KEY FEATURES .....	3
1.3 FRONT & REAR PANELS .....	5
1.3.1 Front Panel .....	5
1.3.2 Rear Panel .....	6
1.4 LED DEFINITIONS .....	7
1.5 CABLE SPECIFICATIONS .....	10
<b>CHAPTER 2. INSTALLATION .....</b>	<b>11</b>
2.1 INSTALLATION REQUIREMENTS .....	12
2.2 CHECKING THE PACKAGE CONTENTS .....	12
2.3 INSTALLING THE MANAGED SWITCH .....	13
2.3.1 Desktop Installation .....	13
2.3.2 Rack Installation .....	14
2.3.2.1 Install EPS-3128 Switch in a Rack .....	14
2.3.3 Grounding the Managed PoE Gigabit Ethernet Switch .....	15
2.4 POWERING ON THE MANAGED SWITCH .....	16
2.5 CONNECTING THE MANAGED SWITCH TO THE NETWORK .....	16
2.6 INSTALLING AND REMOVING SFP MODULES .....	16
2.6.1 Installing SFP Modules .....	16
2.6.2 Removing SFP Modules .....	17
2.7 CONNECTING THE SWITCH TO CONSOLE PORT .....	17
<b>CHAPTER 3. OPERATION .....</b>	<b>18</b>
3.1 NETWORK MANAGEMENT .....	18
<b>CHAPTER 4. MAINTENANCE .....</b>	<b>20</b>
4.1 FAULT IDENTIFICATION .....	20
4.1.1 Local Check .....	20
4.1.2 Remote Check .....	21
4.2 HARDWARE REPLACEMENT PROCEDURES .....	21
4.3 FIRMWARE UPGRADE .....	21

# About this manual

In this user's guide, it will not only clearly introduce CTS EPS-3128 Managed Switch but tell you how to install this Managed Switch with detailed instructions.

## Organization of the Manual

---

- Chapter 1 "Introduction" describes the features of the Managed Switch
- Chapter 2 "Installing the Managed Switch"
- Chapter 3 "Operation"
- Chapter 4 "Maintenance"

# 1

## Introduction

---

CTS's Managed Switch is designed to meet the emerging FTTX & Metro Ethernet requirements. Its low profile appearance with 1U height and the standard rack-mounted size achieve the highest density within a single rack. When massive fiber ports need to be deployed, the Managed Switch provides the best performance and price ratio.

### 1.1 Overview of EPS-3128

EPS-3128, a 19-inch and rack mountable Managed PoE Ethernet Switch, has 24 10/100/1000Base-T up to 30W PoE ports + 4 combo uplink ports (10/100/1000Base-T and 100/1000Base-X SFP) in the front panel. This Managed Switch provides high performance, store and forward switching capability plus other advanced features such as QoS, VLAN, Spanning Tree, LACP and so on.

LED indicators located on the front panel ease the users' effort to monitor and manage the network status. The built-in management module also allows users to configure, control and monitor the system locally via console or remotely via SNMP\_ based management system.

This Managed Switch is a typical SFP solution to Metro Ethernet application. Besides, it can be used as a stand-alone switch. With the height of 1U and the standard-size rack design in appearance, EPS-3128 can be used in closet wiring as well.

## 1.2 Key Features

- **19 inch, 1U high**
- **24 x 10/100/1000Base-T ports, Max.30W PoE/PSE**
  - IEEE 802.3/802.3u/802.3ab compliance
  - Support Auto-Negotiation
  - Support MDI/MDIX/Auto-Crossover
  - RJ-45 Slot
  - Support IEEE802.3af Power over Ethernet
  - Support IEEE802.3at Power over Ethernet Enhancements
- **4 x 10/100/1000Base-T, 100/1000Base-X Combo ports**
  - IEEE 802.3ab/802.3z compliance
  - Support Auto-Negotiation (RJ-45) and Auto-Sensing (SFP)
  - Support MDI/MDIX/Auto-Crossover(RJ-45)
  - RJ-45 or SFP Slot
- **Switching Features**
  - Store & forward switching
  - Non-blocking switching fabric: 56Gbps
  - Mac address table:16K
  - Memory buffer total 1536K bytes
  - VLANs support up to 2K VLAN Groups
  - Support jumbo frame on all ports up to 9K bytes size
  - QoS classification based on IEEE802.1p, TOS/DSCP
  - 802.1Q Tunneling (QinQ)
  - Rate limit control
  - SNTP time server
  - Static multicasting
  - IGMP v1/v2/v3 snooping
  - IGMP fast leave
  - IGMP filtering via filtering profile
  - Multicast channel limitations per port
  - DHCP snooping
  - DHCP client and auto-provision
  - DHCP relay agent with option 82
  - Access Control List (ACL)
  - Rapid Spanning Tree Protocol (RSTP)
  - Link Layer Discovery Protocol (LLDP)
  - IEEE 802.1X Authentication
  - RADIUS Authentication for 802.1X
  - IPv6 over Ethernet
  - IPv6 Addressing Architecture
  - IPv6 Dual Stack
  - PoE Power Output: 30W max. (Per PoE port)

- Maximum PoE Power Budget :  
For 480W model: 480Watts at 40°C, 420Watts at 50°C  
For 240W model: 240Watts at 40°C, 210Watts at 50°C
- Time Range for PoE
- L2PT (Layer 2 Protocol Tunneling)
- VLAN Translation
- Proprietary Fast Ring v2 (<50ms) and Chain (<1 second) redundancy protocols for fast redundancy after encountering connection issues

### ■ Management Functions

- Console
- Telnet/CLI
- Web
- RADIUS authentication
- SNMP v1/v2 and network management
- SNMP Power-Down Trap
- Private, RFC-1213, RMON MIBs
- Port mirroring
- FTP, TFTP, HTTP server and client firmware upgrade
- RADIUS Client for Web, CLI for authentication
- TACACS+ for authentication

### ■ Operation Environment

- Operating Temperature: 0°C~50°C



## 1.3 Front & Rear Panels

### 1.3.1 Front Panel

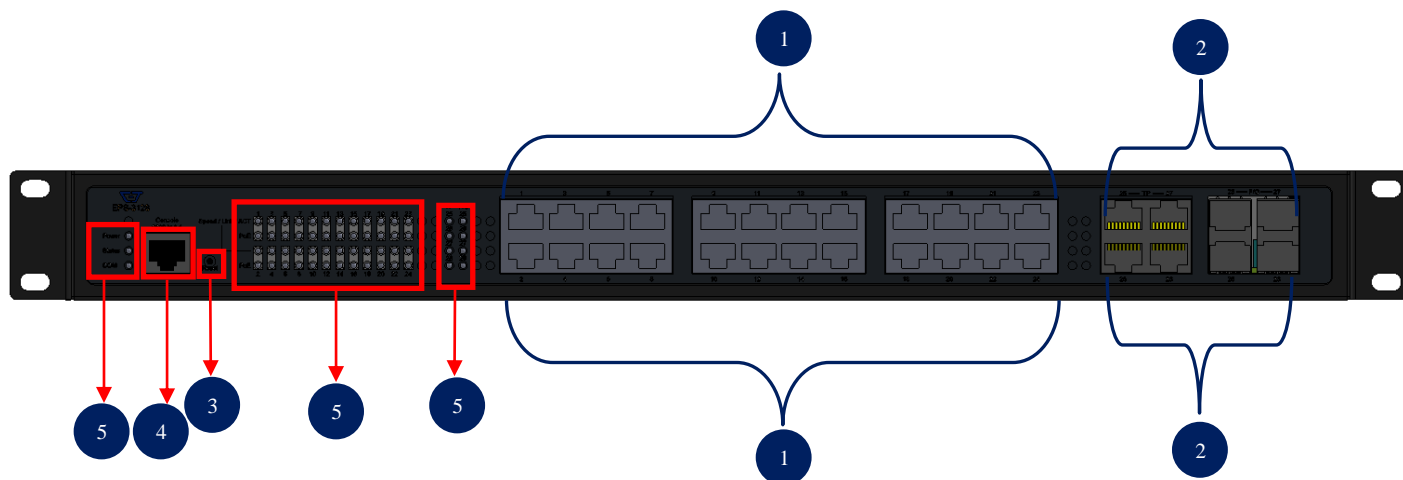


Figure 1-1. Front Panel of EPS-3128 Managed Switch

The interfaces on the front panel of the Managed Switch are described below:

- 24 x 10/100/1000Base-T RJ-45 ports (Ports 1-24)**
- 4 x Gigabit combo ports (Ports 25-28):**
  - 4 x 10/100/1000Base-T RJ-45 ports, or
  - 4 x 100/1000Base-X SFP ports
- Reset Button:**
  - Press the reset button for 5~13 seconds, then release it to restart the system.
  - Press the reset button for 13~20 seconds, then release it to reset the Managed Switch. The settings will be reset to the supplier defaults and restart the system.
  - Press the reset button for more than 20 seconds, then release it to reset the Managed Switch. The settings will be back to the factory defaults and restart the system.
- Console Port:**
  - An asynchronous serial console port supports the RS-232 electrical specification. The console port can be used to manage the device, and the serial console port settings should be configured as 9600, 8, n, 1.
- LEDs:**
  - Includes Power LED, Status LED, COM LED, Speed/Link/Act LEDs of TP 1~24 ports, PoE LEDs of 1~24 ports and LEDs of TP & Fiber 25~28 ports. For more details on LEDs description, please refer to Section [1.4 LED Definitions](#).

## 1.3.2 Rear Panel

The Managed Switch provides one fixed AC input power module.



Figure 1-2. Rear Panel of EPS-3128 Managed Switch

The interface on the rear panel of the Managed Switch is described below:

6. **AC Inlet**
  - AC power connection: 100-240V, 50/60Hz
7. **Power Switch:**
  - Power on/off EPS-3128 Managed Switch.
8. **Ground Screw** (For more information, please refer to Section [2.3.3](#))

# 1.4 LED Definitions

The Managed Switch is Plug & Play compliant. The real-time operational status can be monitored through a set of LED indicators located in the front panel.

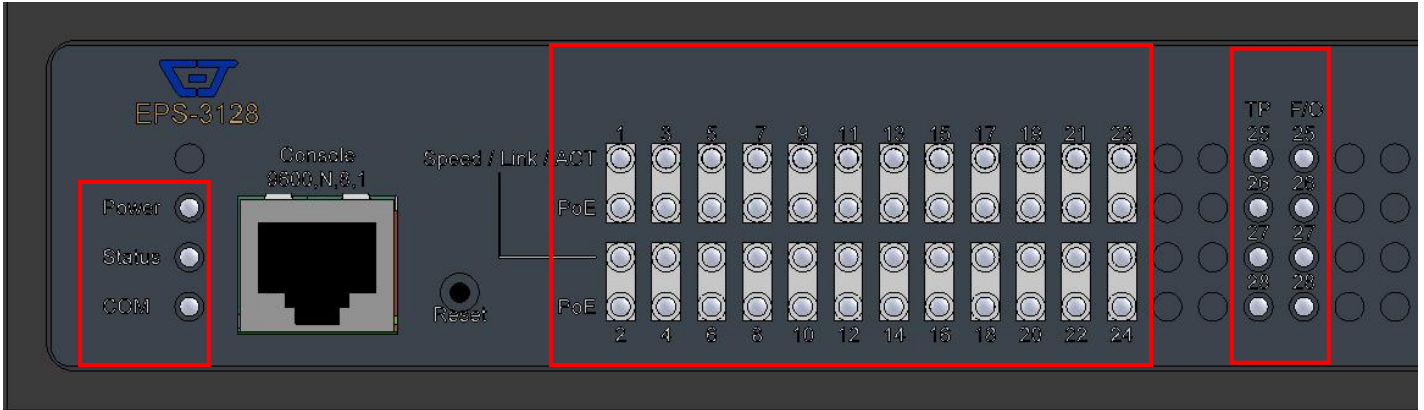


Figure 1-3. LEDs of EPS-3128 Managed Switch

## Power LED

The power status of the Managed Switch is indicated by the Power LED on the front panel of the device.

LED	Color	Operation
Power	OFF	No fixed-in power module exists or power is off.
	Green	Lit when power module is in normal operation.

## Status LED

The Managed Switch status is indicated by the Status LED on the front panel of the device.

LED	Color	Operation
Status	Green	Lit when the device is in normal operation.
	Orange	Lit when the device is booting up or press the Reset button for 5~13 seconds. And then release the Reset button, the LED indicator will continuously blink in orange ↔ green color by turns for 3 seconds and restart the system.

		<p>Slowly blinking when you press the Reset button for 13~20 seconds. And then release the Reset button, the LED indicator will continuously blink in orange ↔ green color by turns until the system is reset to default (return to supplier default settings) and restart the system.</p> <p>Rapidly blinking when you press the Reset button for more than 20 seconds. And then release the Reset button, the LED indicator will continuously blink in orange ↔ green color by turns until the system is reset to default (return to factory default settings) and restart the system.</p>
--	--	--

### COM LED

The console status is indicated by the COM LED on the front panel of the device.

LED	Color	Operation
COM	OFF	Either the console port is not activated or no session exists.
	Green	Lit when the console port is activated and the session exists.

### TP 1~24 Port LEDs

LED	Color	Operation
Speed/ Link/ACT	OFF	No connection exists.
	Green	Lit when the 10/100Mbps port link is up. Blinking when TP port is receiving and transmitting data at the speed of 10/100Mbps.
	Orange	Lit when the 1000Mbps port link is up. Blinking when TP port is receiving and transmitting data at the speed of 1000Mbps.
PoE	OFF	PoE is disabled or no power is supplied with the PD when PoE is enabled.
	Green	Lit when PoE is enabled and starts supplying the power. Blinking when PoE works abnormally.

### TP & F/O 25~28 Port LEDs

LED	Media Type	Color	Operation
Speed/ Link/ACT/	TP	OFF	No connection exists.
		Green	Lit when the 10/100Mbps port link is up. Blinking when TP port is receiving and transmitting data at the speed of 10/100Mbps.
		Orange	Lit when the 1000Mbps port link is up. Blinking when TP port is receiving and transmitting data at the speed of 1000Mbps.
	F/O	OFF	No connection exists.
		Green	Lit when the 100Mbps port link is up. Blinking when Fiber port is receiving and transmitting data at the speed of 100Mbps.
		Orange	Lit when the 1000Mbps port link is up. Blinking when Fiber port is receiving and transmitting data at the speed of 1000Mbps.

## 1.5 Cable Specifications

The following table contains various cable specifications for the Managed Switch. Please make sure that you use the proper cable when connecting the Managed Switch.

Cable Type	Description
10Base-T	UTP Category 3, 4, 5 (100 meters max.) EIA/TIA- 568 150-ohm STP (100 meters max.)
100Base-TX	UTP Cat. 5 (100 meters max.) EIA/TIA-568 150-ohm STP (100 meters max.)
1000Base-T	UTP Cat. 5e (100 meters max.) UTP Cat. 5 (100 meters max.) EIA/TIA-568B 150-ohm STP (100 meters max.)
100BASE-FX	Multi-mode fiber module(2km) / Single-mode fiber module
1000BASE-SX	Multi-mode fiber module (550m)
1000BASE-LX	Single-mode fiber module (10km)
1000BASE-LH	Single-mode fiber module (30km/50km)
1000BASE-ZX	Single-mode fiber module (80km)
SFP Transceiver	SFP Transceiver for 1000BASE-SX Multi-mode fiber module (550m) SFP Transceiver for 1000BASE-LX Single-mode fiber module (10km) SFP Transceiver for 1000BASE-LH Single-mode fiber module (30km/50km) SFP Transceiver for 1000BASE-ZX Single-mode fiber module (80km)

# 2

## Installation

---

To properly install the EPS-3128 Managed Switch, please follow the procedures listed below. These procedures will be respectively described in detail in the following sections.

- Installation Requirements
- Checking the Package Contents
- Installing the Managed Switch
- Powering on the Managed Switch
- Connecting the Managed Switch to the Network

## 2.1 Installation Requirements

Basic requirements for installation are as follows:

- Environmental conditions
  - One power outlet
  - Proper ventilation
  - Proper isolation to electrical noise, radio, etc.
  - UTP cables should not run in the same duct with power and phone line cables
- Required SFP Transceiver or UTP cables
- Rack mounting tools

## 2.2 Checking the Package Contents

Unpack the package carefully and check the package contents. The package should contain the following items:

- One set of the Managed Switch
- 19-inch rack-mount kit (Fixed in the Managed Switch when shipped)
- Four rubber feet with adhesive backing
- Console RS-232 cable with RJ-45 connector
- Documentation CD
- AC power cord

If any item is found missing or damaged, please contact your local sales representative for support or replacement.



## 2.3 Installing the Managed Switch

You can install the EPS-3128 switch on a flat surface or mount it in a standard 19-inch network equipment rack.



### CAUTION

**To prevent any damage or failure of the Managed Switch, please DO NOT block the ventilation FAN holes.**

Use the following guidelines when choosing a place to install the switch:

- Firm and steady flat surface.
- Proper power outlet location, not too far from the device.
- Visually inspect the power cord and see that it is secured to the AC power connector.
- Make sure that there is proper heat dissipation from and adequate ventilation around the switch. Do not place heavy objects on the Managed Switch.

### 2.3.1 Desktop Installation

The switch can be placed in any flat and steady surface with proper air ventilation. Four rubber feet with adhesive backing are provided for this kind of installation.

#### Procedures

- ① Attach rubber feet on the bottom at each corner of the device.
- ② Select a flat and steady surface to place the switch.
- ③ Allow adequate space for ventilation between the device and the objects around it.

## 2.3.2 Rack Installation

In the following section, we will take the EPS-3128 Managed Switch for example to install a 19-inch switch in a standard 19-inch network equipment rack.



### **WARNING!**

Please mount the Switch firmly in rack, otherwise it may fall and cause the system damage and possible injury to personnel.

### 2.3.2.1 Install EPS-3128 Switch in a Rack

The Managed Switch can be mounted in an EIA standard-sized, 19-inch rack, which can be placed in a wiring closet with other equipment. Rack mounting brackets are provided to mount the Switch. Just follow the procedures listed below for step-by-step instructions to install your switch in this rack space:

**Step 1.** Plan the rack position.

**Step 2.** Align the mounting holes in the brackets with the desired holes in the rack, and insert screws through each bracket and into the rack. (See Figure 2-1)

**Step 3.** Then, tighten the screws with the screwdriver to secure mounting brackets to the rack.

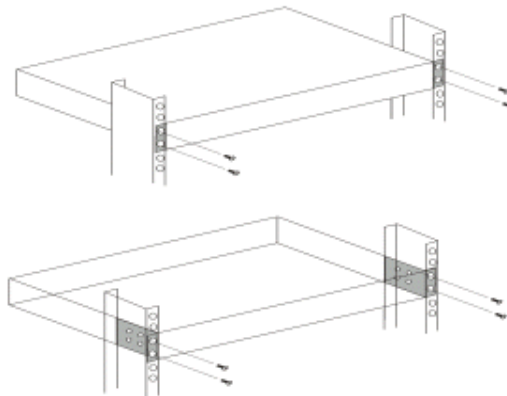


Figure 2-1. EPS-3128 Switch Rack-mounting

**Step 4.** Please ensure that the ventilation holes are not blocked.

### **2.3.3 Grounding the Managed PoE Gigabit Ethernet Switch**

Grounding helps to limit the effects of noise due to electromagnetic interference (EMI). Be sure to install the ground connection from the ground screw to the grounding surface before connecting devices.

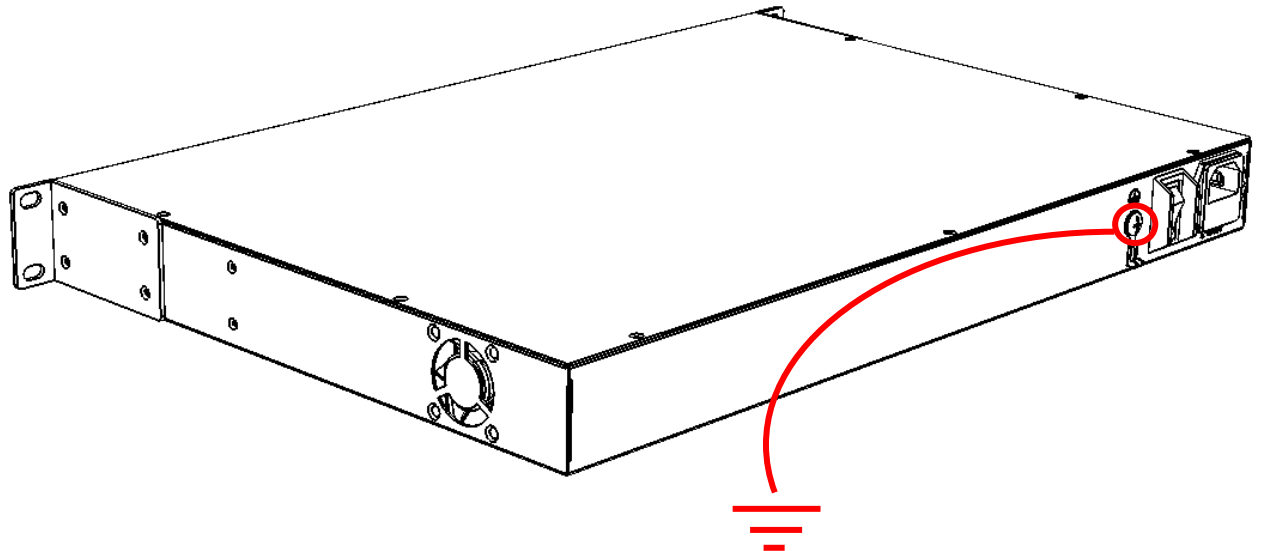


Figure 2-2 Grounding Wiring for EPS-3128

## 2.4 Powering on the Managed Switch

The Managed Switch can be used with AC power supply 100-240V, 50–60Hz. After the Managed Switch is turned on, the Power LED indicators should light in green color and the FAN should spin. For more details about the power LED description, please refer to Section [1.4 LED Definitions](#).

### Power Failure

In the event of power failure, unplug the power that is plugged into the switch at the back of the device. When power is resumed, plug the power back to the switch.

## 2.5 Connecting the Managed Switch to the Network

### Connect to Network

The Managed Switch has 24 TP ports and 4 combo ports in the front panel. These 24 TP ports can be plugged with 10/100/1000Base-T UTP cable. Uplink combo ports 25-28 can be plugged with 100Base-FX, 1000Base-X SFP Fiber transceiver or 10/100/1000Base-T UTP cable. The connection of the fiber port must be matched, i.e. Transmitter to Receiver, and vice versa.

## 2.6 Installing and Removing SFP Modules

### 2.6.1 Installing SFP Modules

To connect the fiber transceiver and LC cable, use the following guidelines:

1. Position the SFP transceiver with the handle on top.
2. Locate the triangular marking in the slot and align it with the bottom of the transceiver.
3. Insert the SFP transceiver into the slot until it clicks into place.
4. Make sure the module is seated correctly before sliding the module into the slot. A click sounds when it is locked in place.

---

*Note: If you are attaching fiber optic cables to the transceiver, continue with the following step. Otherwise, repeat the previous steps to install the remaining SFP transceivers in the device.*

---

1. Remove the protective plug from the SFP transceiver.

---

*Note: Do not remove the dust plug from the transceiver if you are not installing the fiber optic cable at this time. The dust plug protects hardware from dust contamination.*

---

2. Insert the fiber cable into the transceiver. The connector snaps into place and locks.
3. Repeat the previous procedures to install any additional SFP transceivers in the switch. The fiber port is now set up.

## 2.6.2 Removing SFP Modules

To disconnect an LC connector, use the following guidelines:

1. Press down and hold the locking clips on the upper side of the optic cable.
2. Pull the optic cable out to release it from the transceiver.
3. Hold the handle on the transceiver and pull the transceiver out of the slot.

## 2.7 Connecting the Switch to Console Port

The switch supports a secondary means of management. By connecting the RJ45 to RS232 serial cable between a COM port on your PC (9-pin D-sub female) and the switch's RJ45 (RJ45) port, a wired connection for management can be established.



# 3

## Operation

A built-in management module of Managed Switch provides users flexible interfaces to configure, control and monitor the system remotely and locally. To know the further information about the operation of Managed Switch, please refer to EPS-3128 Network Management User's Manual for the detailed management functions and required installation and operation procedures.

### 3.1 Network Management

The following is a list of management options available in this Managed Switch:

- Local Console Management
- Telnet Management
- SNMP Management
- Web Management

#### Local Console Management

Users may connect a Terminal or PC running the Terminal Emulation program (such as Putty or Tera Term) with the following serial console port settings, to the Managed Switch console port directly via RS-232 cable to configure , control and monitor the system. This is often referred to as Out-Of-Band management.

<b>Baud rate:</b>	9600
<b>Data bits:</b>	8
<b>Parity:</b>	none
<b>Stop bits:</b>	1
<b>Flow control:</b>	none

Console management is useful when there is no network connection to the Switch, for instance configuring the Managed Switch for the first time.

#### Telnet Management

Telnet is done through the network. Once there is a network connection to the Managed Switch, users can use Telnet to configure, control and monitor the system. Using the network connection to manage is often referred to as In-Band-Management.

### **SNMP Management**

SNMP is also In-Band-Management and requires a network connection to the Managed Switch. The Managed Switch private Management Information Bases (MIB) is provided for SNMP-based network management program to configure, control and monitor the system.

### **Web Management**

Web Management is done over the network. Once the Managed Switch is available on the network, you can login and monitor the status of it through a web browser remotely or locally. Web management in the local site, especially for the first time use of the Managed Switch to set up the needed IP, can also be done through one of the 10/100/1000Base-T 8-pin RJ-45 ports located on the front panel of the Managed Switch. Direct RJ-45 LAN cable connection between a PC and the Managed Switch is required for this management.

# 4

## Maintenance

This Managed Switch is easy to maintain. The procedures are suggested when you would like to identify faults, perform hardware replacement and firmware upgrade.

### 4.1 Fault Identification

Identifying faults can greatly reduce the times required to find problem and solution. Users may perform local check or remote check to find the problems.

#### 4.1.1 Local Check

Users can perform local check by observing LED indicators status or check system setup and configuration through console connection.

- When the whole system fails to function,
  1. Check Power LED status
  2. Check Power connection
  3. Reset power
  
- When certain network link fails to function,
  1. Locate the port of the switch
  2. Check LINK/ACT/Speed LED of the port
  3. Check Status LED of the port
  4. Check cable connection between the port and the connected device
  5. Reset power
  
- When local Console fails to function,
  1. Check COM LED status
  2. Check Console port connection
  3. Check Console configuration
  4. Reset power



## 4.1.2 Remote Check

Users may check the Managed Switch through SNMP manager remotely. For detailed procedures, please refer to the Network Management User's Manual.

## 4.2 Hardware Replacement Procedures



### **WARNING!**

**The Managed Switch contains no user-serviceable parts. DO NOT, UNDER ANY CIRCUMSTANCES, open and attempt to repair it.**

**Failure to observe this warning could result in personal injury or death from electrical shock.**

**Failure to observe the above warning will immediately void any Warranty.**

## 4.3 Firmware Upgrade

This Managed Switch may perform the firmware upgrade when required. The latest firmware can be obtained from your sales representative. For the detailed upgrade procedures, please refer to EPS-3128 Network Management User's Manual.





**CONNECTION TECHNOLOGY SYSTEMS**

18F-6, No.79, Sec.1, Xintai 5th Rd.,

XiZhi Dist., New Taipei City 221, Taiwan(R.O.C)

Tel: +886-2-2698-9661

Fax: +886-2-2698-9662

Dir.Line:+886-2-2698-9201

[www.ctsystem.com](http://www.ctsystem.com)