

Trademarks

CTS is a registered trademark of Connection Technology Systems Inc. Contents subject to revision without prior notice.

All other trademarks remain the property of their owners.

Copyright Statement

Copyright © Connection Technology Systems Inc.

This publication may not be reproduced as a whole or in part, in any way whatsoever unless prior consent has been obtained from Connection Technology Systems Inc.

FCC Warning

These devices have been tested and found to comply with the limits for a Class A digital device, pursuant to Part 15 of the FCC Rules. These standards are designed to provide reasonable protection against harmful interference when these devices are operated in a commercial environment. These devices generate, use, and can radiate radio frequency energy and may cause harmful interference to radio communications unless installed in accordance with this Quick Installation Guide. Operation of these devices in a residential area is likely to cause harmful interference which will make the user responsible for the appropriate remedial action at his / her own expense.

CE Mark Warning

These are Class A products. In a domestic environment these products may cause radio interference in which case the user will need to consider adequate preventative methods.

1. Checklist

The package should contain the following items:

- PoE Switch
- AC Power Cord
- Four Rubber Feet
- Rack-mounting Bracket Kit
- Quick Installation Guide
- SFP dust cap x 1

Please notify your sales representative immediately if any item is missing or damaged.

As for power adapters, please refer to Section 8 for more detailed information.

2. Overview

This PoE Switch is compact 9-inch, rack mountable, has 8-port 10/100BASE-TX 802.3at PoE+ with 1-port 10/100/1000BASE-T + 1-port 100/1000BASE-X SFP switch in front panel. This PoE Switch provides high performance store and forward switching plus built-in DIP switch that provides “Default”, “VLAN” and “CCTV” mode.

Clear, at-a-glance per-port LED indicators make users easier to monitor network and PoE status. EPS-2010G supports IEEE 802.3af/at PoE technology, up to 30W per port and maximum 100-meter transmission distance and supports a maximum of 120W of total PoE budget.

Major Features:

- 8 x 10/100Base-TX port with 802.3af/at PoE Injector Mode
- 1 x 10/100/1000Base-T port
- 1 x 100/1000Base-X SFP slot
- DIP switch for Default, VLAN and CCTV mode
- 4K MAC address table
- Support 9K Jumbo Frames
- Supports PoE power up to 30 watts for each PoE port
- Total 120 watts PoE budget
- Supports +/- 4KV surge immunity

3. Switch Front Panel

Figure 1 shows the front panel of EPS-2010G

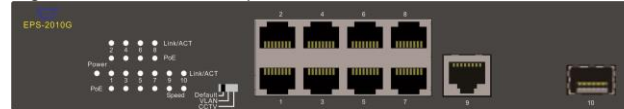


Figure 1. EPS-2010G Front Panel

4. LED Description

Power LED

LED	Color	Function
Power	Off	Power is off.
	Green	Indicates the switch has power.

Port LED 1~8

LED	Color	Function
Link/ACT	Off	No connection
	Green	Light: Indicates the link through that port is successfully established at 10/100Mbps.
		Blink: Indicates the switch is actively sending or receiving data over that port.
	Off	No powered device (PD) connected

PoE	Orange	Light: There is a PoE PD connected to be port, which supply power successfully.
		Blink: Indicates port abnormal power supply.

Port LED 9

LED	Color	Function
Link/ACT	Off	No connection
	Green	Light: Indicates the link through that port is successfully established.
		Blink: Indicates the switch is actively sending or receiving data over that port.
Speed	Off	Indicates the link through established at 10/100Mbps
	Green	Indicates the link through established at 1000Mbps

Port LED 10

LED	Color	Function
Link/ACT	Off	No connection
	Green	Light: Indicates the link through that port is successfully established.
		Blink: Indicates the switch is actively sending or receiving data over that port.
Speed	Off	Indicates the link through established at 100Mbps
	Green	Indicates the link through established at 1000Mbps

5. Switch Rear Panel

Figure 2 shows the rear panel of EPS-2010G

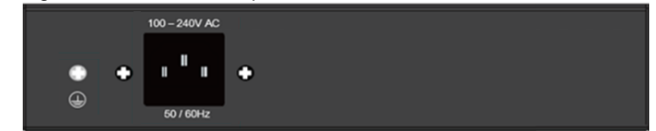


Figure 2. EPS-2010G Rear Panel

6. Network Installation

Please follow the steps described below to complete the network installation.

- 1 Connect one end of a standard network cable to port-9.
- 2 Connect the other end of a standard network cable to the network devices such as routers or workstations.
- 3 Install SFP transceiver and connect one end of a fiber cable to port-9.
- 4 Connect the other end of fiber cable to the remote fiber device

- 5 Connect one end of a standard network cable to port-1 to port-8 on the front of the PoE switch
- 6 Connect the other end of standard network cable to the 802.3af/at powered devices.
- 7 Connect one end of the power cable to the rear of the PoE switch.
- 8 Connect the power plug of the power cable to a standard wall outlet. When the PoE switch receives power, the Power LED should remain solid Green.

7. DIP Switch

The front panel of EPS-2010G has one DIP switch that supports "Default", "VLAN" and "CCTV" modes. The detailed description are shown in the following.

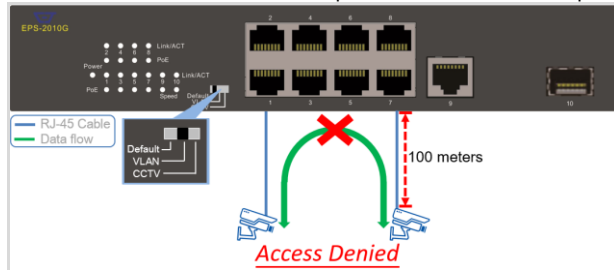
Note: After change the mode, in order to the corresponding configuration take effect. The switch needs to restart manually.

Default DIP Switch Mode

The default DIP switch mode is general switch mode that can normal communication between port 1~10.

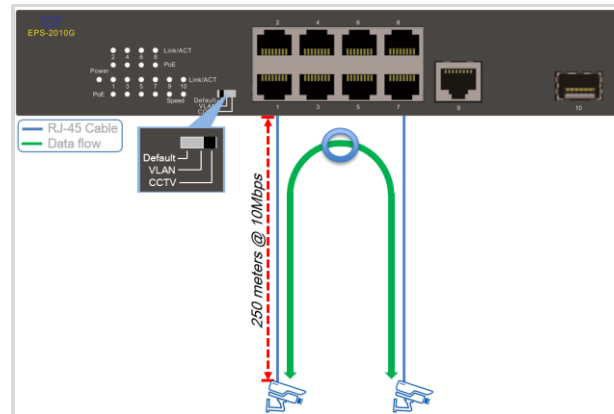
VLAN DIP Switch Mode

The VLAN DIP switch mode is VLAN isolation mode that 1-8 port can be isolated each other but 1-8 port can connect to 9~10 port.



CCTV DIP Switch Mode

The CCTV ON DIP switch mode is extension mode that allows 1-8 port to extend your network distance up to 250 meters at 10Mbps while remaining to support 30W PoE power output.



8. Technical Specifications

Standards	IEEE 802.3 10Base-T IEEE 802.3u 100Base-TX/FX IEEE 802.3ab 1000Base-T IEEE 802.3z 1000Base-X IEEE 802.3x Flow Control, IEEE 802.3af Power over Ethernet, IEEE 802.3at Power over Ethernet Plus
Interface	8-Port RJ-45 for 10/100Base-TX, auto MDI/MDIX 1-Port RJ-45 for 10/100/1000Base-T, auto MDI/MDIX 1-Port SFP slot for 100/1000Base-X 8-Port 802.3af/at PoE Injector (Port-1 to Port-8)
PoE Injector Port	Max. 30W per port
PoE Power Output	120W
PoE Budget	9K
Jumbo Frame	4K
MAC Address Table	Power, Link/ACT, PoE, Speed
LED	AC Input Voltage: 100V-240V 50/60Hz
Power	1.3kg
Shipping Weight	220(W) x 150(D) x 44(H)mm
Dimensions	Operating: 0°C~50°C; Storage: -20°C~60°C
Temperature	Humidity
Humidity	5%~90% RH non-condensing
EMC Safety	FCC Part 15 Class A, CE
Media	TP: EIA/TIA-568 CAT 3/4/5/5e Fiber: 50/125, 62.5/125µm multi-mode fiber 9/125, 10/125µm single-mode fiber

*Please contact us for further reports and updates.

NOTE: Specifications may change without prior notice.

Contact Information

Connection Technology Systems INC (CTS)
18F-6, No.79, Sec.1, Xintai 5th Rd., Xizhi Dist.,
New Taipei City 221, TAIWAN, R.O.C.
TEL: +886 2 26989661 FAX: +886 2 26989662
E-Mail: info@ctsystem.com



EPS-2010G

**8-Port 10/100Base-TX
802.3at PoE+
With 1-Port
10/100/1000Base-T + 1-Port
100/1000Base-X Switch**

User's Guide

Version 1.0