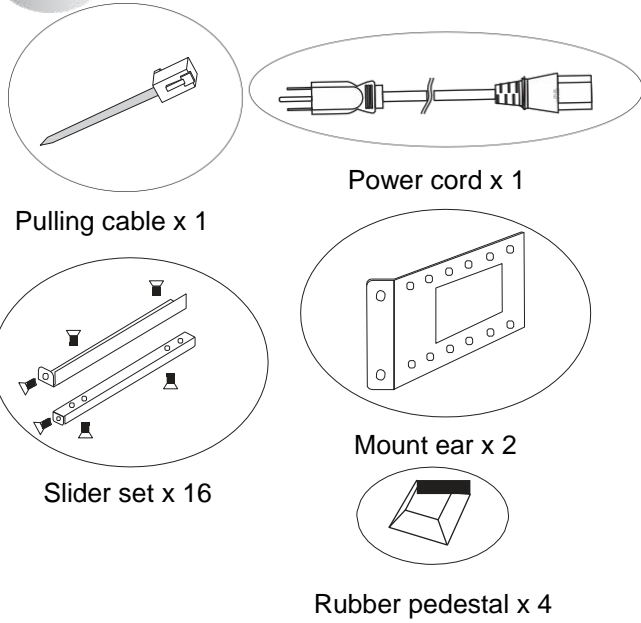
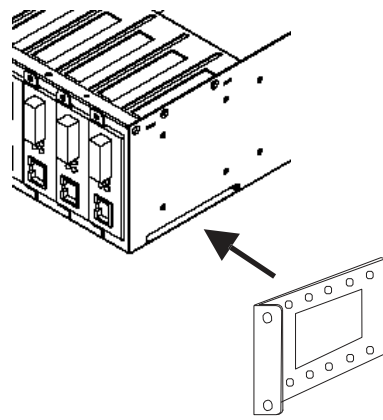


# INSTALLATION AUXILIARY FIGURES

## 1 Accessories

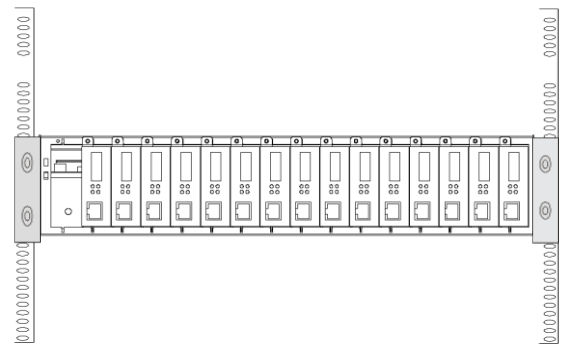


## 2 Mount ear



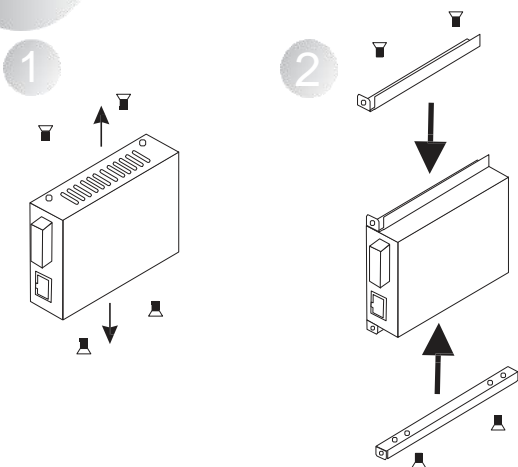
Take screws off to remove mount ear

## 3 Mount rack



Fasten screws in rack to fix CVT-RACK-16S

## 4 Upper and lower slider of media converter



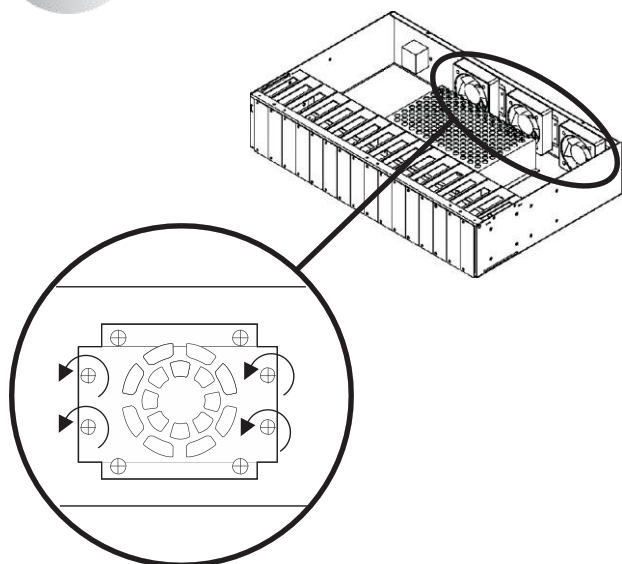
When installing the media converter to the Chassis, please attach two sliders to the media converter first.

1. Take off 4 screws from the media converter.
2. Fasten two sliders with screws in top and bottom locations.

Note:

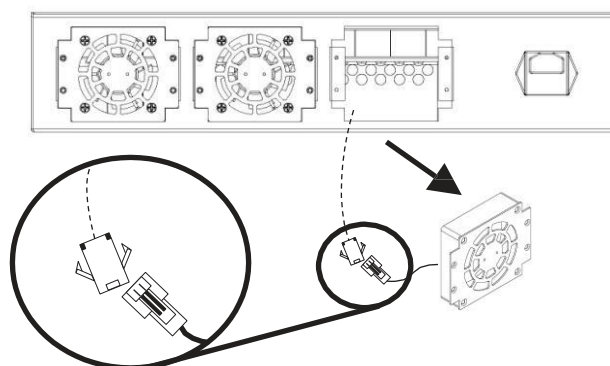
1. For recent media converters, there are 4 reserved screw holes on laterals or sliders.
2. If your media converters are older versions, please unscrew first (Refer to Point 1).
3. If your media converters already have reserved lateral holes, please fasten the sliders directly (Refer to Point 2).

## 7 Top view with fan location



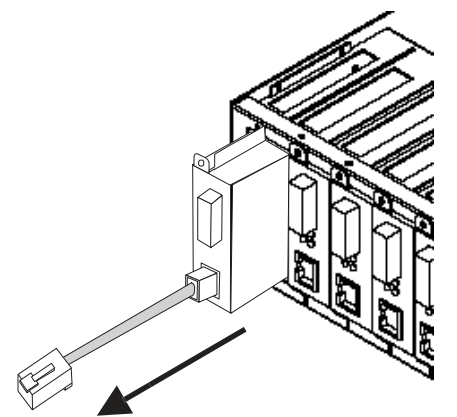
Unfasten four screws for fan replacement.

## 8 Fan replacement



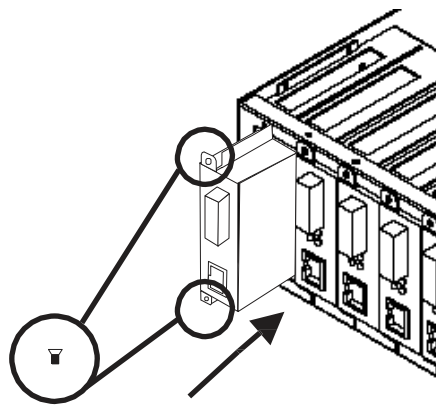
1. Taking the fan out from CVT-RACK-16S, then pull power jacket off.
2. Replace a new fan, then put power jacket back.
3. Push the new fan back to CVT-RACK-16S.
4. Fasten four screws.

## 6 Slide out with pulling cable



Pull out the media converter with the pulling cable.

## 5 Slide in



Push media converter into the Chassis and fasten screws on the slider of media converter.

# CVT-RACK-16S

## 16-Slot Universal Media Converter Chassis

User's Guide

Version 2.0

### Trademarks

Copyright Connection Technology Systems Inc. Contents subject to revision without prior notice. CTS is a registered trade mark of Connection Technology Systems Inc.. Other trademarks remain the property of their owners.

### Copyright Statement

This publication may not be reproduced as a whole or in part, in any way whatsoever unless prior consent has been obtained from Connection Technology Systems Inc.

### FCC Warning

CVT-RACK-16S has been tested and certified as within Class A digital specifications under Part 15 of FCC Rules. These standards are designed to provide reasonable protection from harmful interference when these units are used in a commercial environment. These devices can use, generate and radiate radio frequency energy and may cause harmful interface to radio communications unless installed in accordance with the instructions in this User's Guide. Operation of this device in a residential area is likely to cause harmful interference which will make the user responsible for the appropriate remedial action at his/her expense.

### CE Mark Warning

CVT-RACK-16S is a Class A product. In some domestic environments, it may cause radio interface in which case the user will need to consider adequate preventative measures.

## 1. Introduction

The CTS (Connection Technology Systems) Media Converter Chassis, CVT-RACK-16S is designed to accommodate sixteen separate and independent CTS media converters within a rack-mountable rack.

CVT-RACK-16S is fitted with three hot-swappable fans for enhanced reliability. The benefit is that if one fan fails then it can be replaced with another one without taking back whole CVT-RACK-16S.

Power status is shown on the LED display for the user to monitor and respond as necessary. For optimal performance, please ensure that CVT-RACK-16S is placed in a well-ventilated position, enabling air to circulate above and below the unit.

CVT-RACK-16S can also be installed in a standard 19-inch site rack; provision has been made for the appropriate connecting brackets.

*Note: This Chassis has been designed to house only the proprietary range of media converters. Any other configuration is at the user's own risk.*

## 2. Installation (Refer to the back page)

### 2.1 Rack Mounting

CVT-RACK-16S can be mounted in a standard EIA 19-inch rack. Begin by aligning the mounting brackets along the sides of the unit with the slit over the holes. Secure the screws tightly to fit the brackets to the device before fixing it into the 19-inch rack. Please ensure that the ventilation holes are not obstructed. The step-by-step procedure is shown on the next page.

### 2.2 Media Converter

- 1.Screw the upper and lower sliders on media converter.
- 2.Carefully align the slider with slide way, then press it with firm and steady pressure.

### 2.3 Cabling

1. The correct cable specifications and distances will be listed on the media converter's documentation.
2. Connect the RJ-45/fiber cable to the front of media converter.

### 2.4 Powering

- 1.Connect the female end of the power cord to the MCR.
- 2.Connect the male end of the power cord to an external AC outlet.
- 3.The power LED on CVT-RACK-16S will illuminate when the installation is done correctly.
- 4.Similarly, the power indicator LED on the media converter will also illuminate when the installation is complete and correct.

## 3. Specifications

Slot number  
16 slots

LED  
Power

Power  
-Internal AC Power Module  
Input Voltage: 100 ~ 240VAC, 3.0A, 50/60Hz  
Output Voltage: 5VDC  
-Power Consumption: 9.5W (Empty Loading)

### Typical Operation & Storage Temperature

Operation: 0 ~ 50°C  
Storage Temperature: -20 ~ 60°C  
Humidity: 5% ~ 90% non-condensing

### Dimension and Weight

Size: 440 x 280 x 90mm (W x D x H)  
Weight: 6.65KG (The Chassis Only)

Emission/Safety:  
EMI: FCC Class A, CE

## Order Information

CVT-RACK-16S  
16-Slot Universal Media Converter Center

**Strongly Recommended:**

*To ensure the best performance of standalone media converters, please keep your environment temperature under 40 degrees Celsius.*

## Contact Information

Connection Technology Systems INC (CTS)  
18F-6, No.79, Sec.1, Xintai 5th Rd., Xizhi Dist.,  
New Taipei City 221, TAIWAN, R.O.C.  
TEL: +886 2 26989661 FAX: +886 2 26989662  
E-Mail: [info@ctsystem.com](mailto:info@ctsystem.com)