



ESH-3105FX / W2X

4 Ports 10/100/1000Base-T Managed Ethernet Switch with 1 Port 1000Base-X Uplink

KEY FEATURES

- Comply with IEEE 802.3 10BASE-T, 802.3u 100BASE-TX , 802.3ab 1000BASE-T & 802.3z 1000BASE-X standards
- Four 10/100/1000Base-T ports and one 1000Base-X port
- Store and Forward Switching Mechanism
- Auto-Cross over for MDI/MDIX in TP port
- Auto-Negotiation in TP port
- Support Power/WAN/Status/TP Link Act /TP Speed LED
- Support 128KB packet buffer
- Support 4K MAC address
- Support Jumbo frame on all ports up to 9K bytes size
- Support IEEE 802.3ah OAM network management
- Support IEEE 802.1ag CFM
- Comply with IEEE 802.1p Priority
- Comply with IEEE 802.1q Tag VLAN
- Support Selectable ISP Ethernet Tag Type
- Support Port Based IEEE 802.1p remarking and queuing for four queues
- Support Double VLAN tags (Q-in-Q)
- Support IGMP Snooping v1,v2
- Support SNMP v1,v2c, network management
- Support private , RFC-1213 , RFC-1757 RMON MISs
- Support Rate Limit Control
- Support RADIUS Authentication
- Support even syslog
- Support DHCP client and auto configure
- Support DoS attack prevention
- Support SNMP/Telnet/Console/Web/CLI Managed interface
- Support FTP/TFTP Firmware Upgrade
- Build in Cable Tray



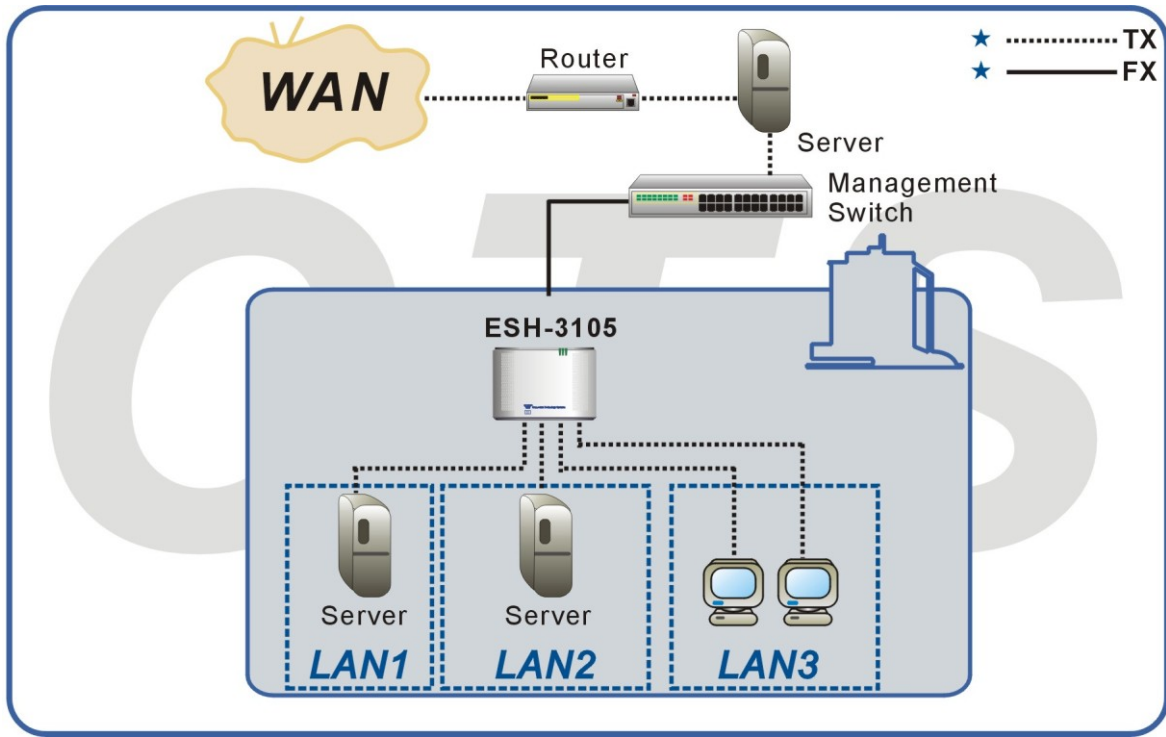
Mark * means coming soon

DESCRIPTIONS

ESH-3105FX Switch from Connection Technology Systems adapts the emerging CTS technology and able to expand a copper based network to fiber and distance from 100M up to 100KM through a Optical fiber.. In addition, built-in Switching ASIC has turned ESH-3105FX/W2X's function just like a 5 ports switch. User now may double their existing optical fiber bandwidth and upgrade their existing 10/100/1000Base-T network easily and more cost effectively.

ESH-3105FX/W2X is fully compliant with IEEE802.3, 802.3u, 802.3ab, 802.3z standards. The installation & operation procedures of ESH-3105FX/W2X are simple & straightforward. Diagnostic LEDs located in the front panel indicate the real time operating status.

APPLICATION



SPECIFICATIONS

Management

Protocol : SNMP , Console ,WEB , CLI

Standard

IEEE 802.3 10Base-T
 IEEE 802.3u 100Base-TX/FX
 IEEE 802.3ab 1000Base-T
 IEEE 802.3z 1000Base-X
 IEEE 802.3ah EFM
 IEEE 802.1ag CFM
 IEEE 802.1q Tag VLAN
 IEEE 802.1p Priority

Interface

10/100/1000Base-T RJ-45 Port: x 4
 1000Base-X Port: x 1
 DB-9 (DTE) console port x 1

LED

Power, WAN, STATUS, Link/Act, Speed

MAC table & Memory buffer

MAC Address Table: 4K
 Memory Buffer: 128K Byte
 Ethernet Tag Type: Selectable
 Max. Frame Size: 9728 byte

Forward / Filter Rate

10M: 14,880/14,880pps
 100M: 148,800/148,800pps
 1000M: 1,488,000/1,488,000pps

Power

External Power adapter
 Input AC120V~240V
 Output DC12V
 Power consumption: 9W

Typical Operation Temperature

Operation: 0°~50°C
 Storage Temperature: -20°~60°C
 Humidity: 5%~90% non-condensing

Dimension and Weight

210x 147x 50mm(W x D x H)
 Shipping Weight: 1.2KG

Emission/Safety

FCC Class A
 CE
 *For further reports, please contact us for update

ORDER INFORMATION

| MODEL | FIBER PORT | | | | | TP PORT | | SUPPORT POWER SOURCE |
|------------------------------|------------|------|-----------|------------------|-------|-------------|-------|------------------------|
| | Speed | Type | Connector | Distance | Ports | Speed | Ports | Power Type |
| ESH-3105FC | 1000 | MM | SC | 550M | 1 | 10/100/1000 | 4 | External Power adapter |
| ESH-3105FC(SM-10/20/3050/80) | 1000 | SM | SC | 10/20/30/50/80KM | 1 | 10/100/1000 | 4 | External Power adapter |
| ESH-3105W2A(SM-10/20/40) | 1000 | WDM | SC | 10/20/40KM | 1 | 10/100/1000 | 4 | External Power adapter |
| ESH-3105W2B(SM-10/20/40) | 1000 | WDM | SC | 10/20/40KM | 1 | 10/100/1000 | 4 | External Power adapter |
| ESH-3105SFP-DR | 100/1000 | SFP | - | - | 1 | 10/100/1000 | 4 | External Power adapter |